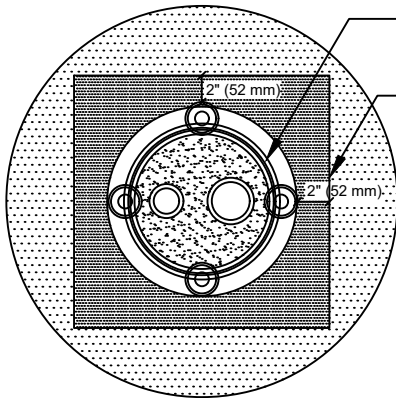


# SINGLE-PLY: TPO & PVC

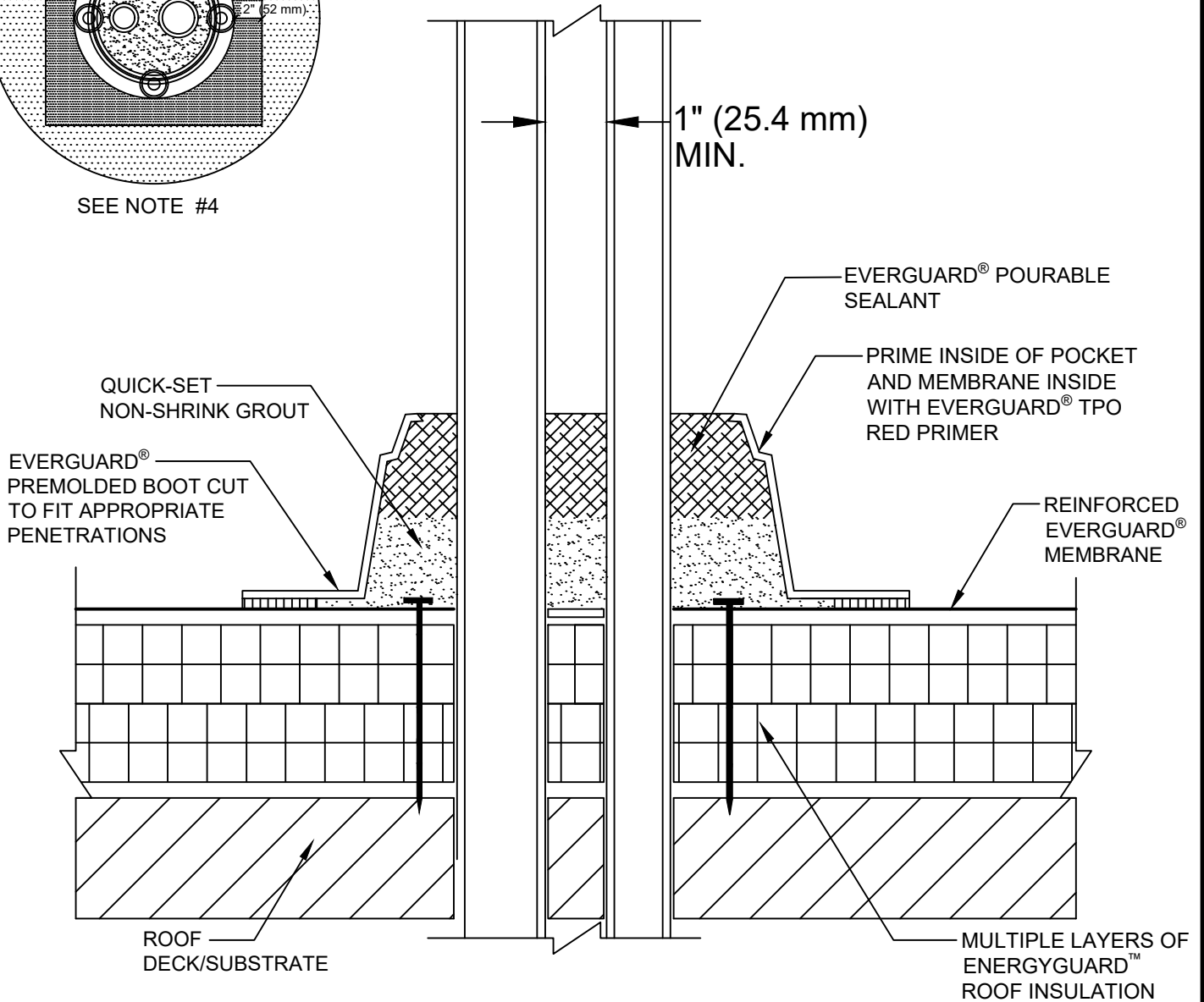
ALTERNATE INSTALLATION



SEE NOTE #4

EVERGUARD® TPO  
PREFORMED VENT

TARGET MADE FROM  
REINFORCED EVERGUARD®  
MEMBRANE



**NOTE:**

1. EXISTING PROJECTION MUST BE CLEANED AND FREE OF INSULATING MATERIALS.
2. DO NOT USE OVER EXISTING PENETRATION POCKETS.
3. DO NOT USE WHEN SERVICE LINE TEMP. EXCEEDS 140°F (60°C).
4. IF THE PLATES AND FASTENERS INTRUDE INTO BOOT FLANGE AREA, THEN A TARGET MUST FIRST BE INSTALLED OVER PLATES AND FASTENERS BEFORE BOOT INSTALLATION.
5. 25 YEAR GUARANTEES AND ABOVE MUST USE EXTREME ACCESSORIES.



## PREFORMED PENETRATION FLASHING DETAIL

DRAWING #  
**522**

THIS DETAIL APPLIES TO:  
ALL SYSTEMS

ISSUE / REVISION DATE  
8/17/20

SCALE  
N.T.S.

LEGEND

HEAT-WELDED LAP